

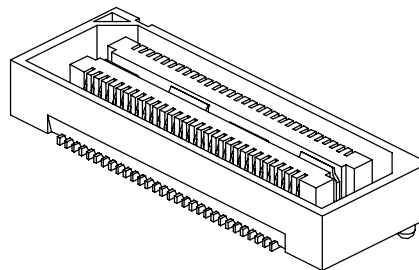
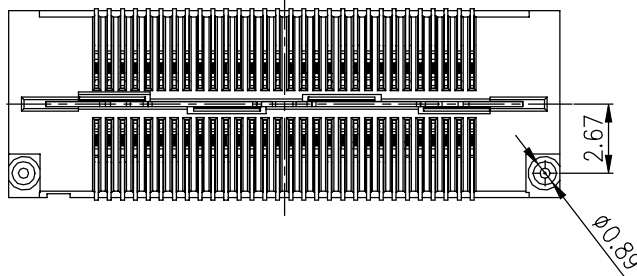
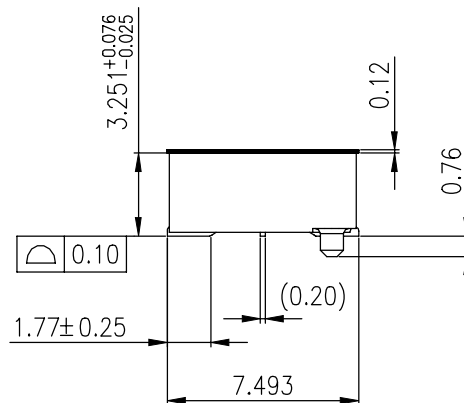
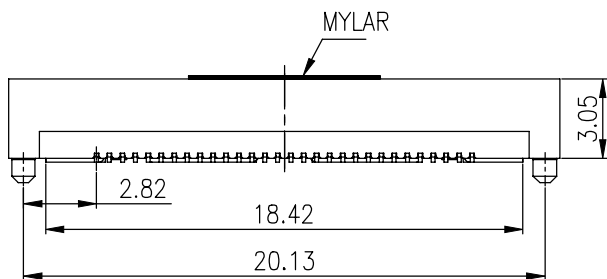
RECOMMENDED PCB LAYOUT
GENERAL TOLERANCE ± 0.05

51077 - XXX X X - XXX
 CKT 060
 PACKING 0:TAPE & REEL
 4:TAPE & REEL WITH MYLAR

- NOTES:
- MATERIAL:
 - HOUSING: LCP, HIGH TEMP., UL94V-0; COLOR:BLACK.
 - TERMINAL: C5210
 - FITTING NAIL:C5210
 - FINISH:
 - TERMINAL:
 - UNDERPLATING: 50 μ "MIN NICKEL OVERALL.
 - G: 10 μ "GOLD ON CONTACT AREA AND 100 μ " MIN MATT TIN ON SOLDER AREA
 - FITTING NAIL:
 - UNDERPLATING: 50 μ "MIN NICKEL OVERALL.
 - G: 10 μ "GOLD ON CONTACT AREA
 - REFLOW SOLDER CAPABLE TO 260°C PER ACES SPEC.
 - SPEC. PLS. REFER TO PS-51077-XXXXX-XXX
 - PART NUMBER

| XXX | Housing Color | PACKAGE |
|-----|---------------|--------------------|
| 001 | BLACK | 51077-xxxxx-xx-TRP |

PLATING
G: 10 μ " GOLD ON CONTACT AREA



| QUALITY SYMBOLS | | DRAWN BY | | DATE | | | |
|---------------------------------------|-----------|---------------|-----------|----------|-----------------|---------|--|
| MAJOR | \oplus | Liang,lin ji | 19/10/28 | | | | |
| CRITICAL | \otimes | CHECKED BY | DATE | | | | |
| GENERAL TOLERANCES (UNLESS SPECIFIED) | | Lu, jing quan | | 19/10/28 | | TITLE | |
| | | APPROVED BY | | DATE | | REV | |
| | | hsieh, fu yu | | 19/10/28 | | DWG NO. | |
| | | UNITS | | SIZE | RFQ NO. | | |
| | | mm | | A4 | N/A | | |
| | | SCALE | SHEET NO. | REV | DWG NO. | | |
| | | 1:1 | 1 OF 1 | A | 51077-xxxxx-xxx | | |